

NLED 96*

Normal downlight



DESCRIPTION

- Recessed LED downlight with frosted cover

CONSTRUCTION

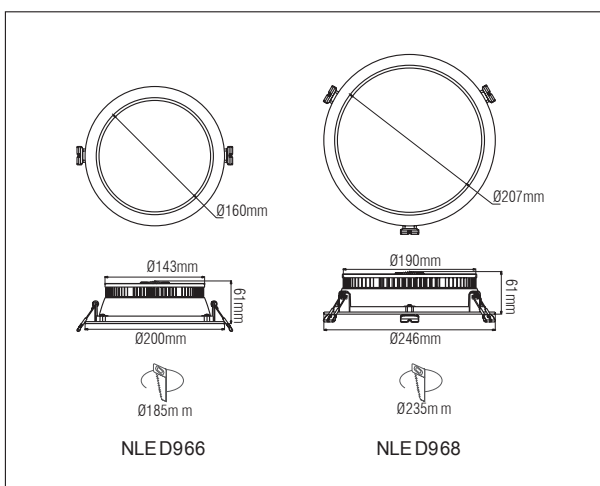
- Main material: Aluminum
- Surface treatment: baking finish
- High quality light guide plate (LGP) inside for glare-free output

SPECIFICATION

- Energy saving, up to 85% energy saving comparing to standard halogen and incandescent lamps
- Long life, up to 30000 hours
- High quality light, high color rendering, less heat, no UV or IR radiation
- Supplied with LED driver

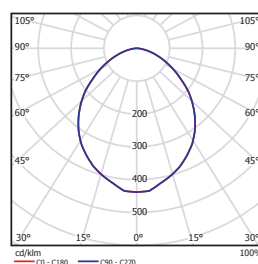
APPLICATIONS

- Entertainment, retail, office, domestic etc.

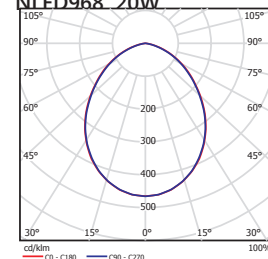


PHOTOMETRIC DATA

NLED966 16W



NLED968 20W



Model	Watt	Lumen	Lumen/Watt	Color temp.	Dimmable	CRI
NLED 966 16W 3000K	16 W	870 lm	54 lm/W	3000 K	no	80
NLED 966 16W 3000K	16 W	870 lm	54 lm/W	4000 K	yes	80
NLED 968 20W 3000K	20 W	1100 lm	55 lm/W	3000 K	no	80
NLED 968 20W 4000K	20 W	1250 lm	63 lm/W	4000 K	no	80
NLED 968 20W 4000K	20 W	1250 lm	63 lm/W	4000 K	yes	80